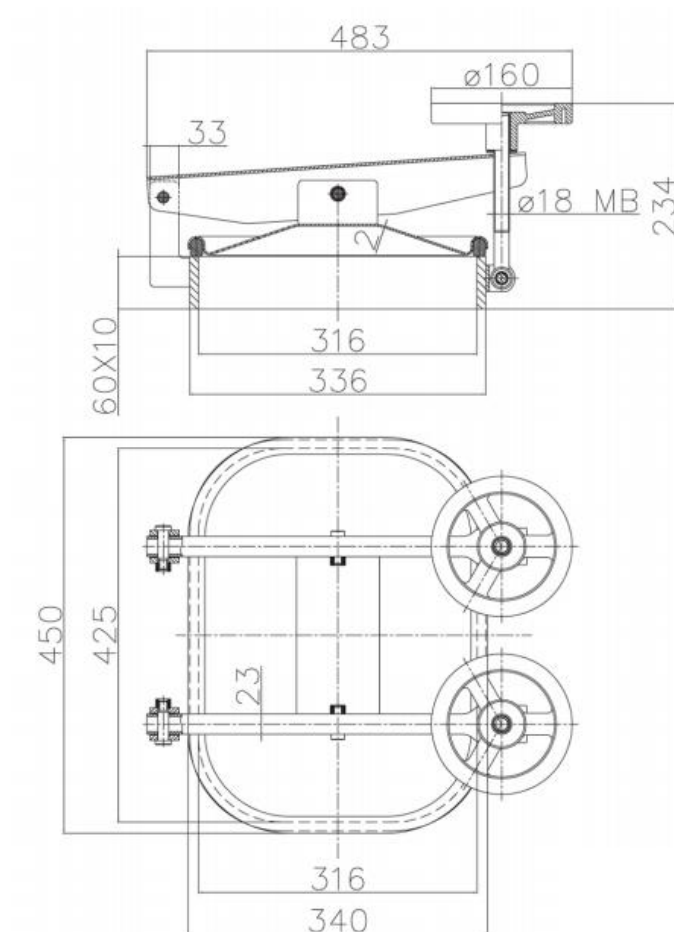
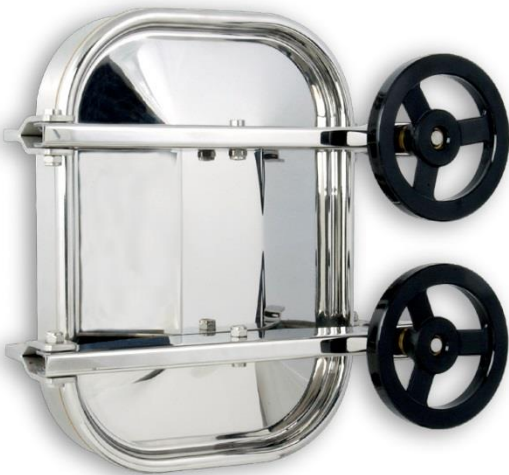


Rectangular Doors

P06-B4

Rectangular manway door in AISI 304 or AISI 316 Stainless Steel – Frame fabricated in flat stainless steel
 Outward opening access 500 x 310 mm
 Maximum working pressure: -0.1/+1.B ar



This Data Sheet refers to the material as supplied. The information contained herein is given in good faith, but no liability will be accepted by the Company in relation to same. We reserve the right to change the details given on this Data Sheet as additional information is acquired. Customers requiring the latest version of this Data Sheet should contact our sales department.

Unit N2, Gildersome Spur, Gildersome, Leeds, LS27 7JZ | Tel: 0113 252 6712 | Email: info@manways.co.uk | www.manways.co.uk