






# Sight Glass DIN 28120

**Versaline**  
HpE Process

-  Sight glasses DIN28120
-  Hublots DIN28120
-  Schaugläser DIN28120
-  Mirillas DIN28120
-  Sight occhiali DIN28120



- ◆ 7009 06 050
- ◆ 7009 06 080
- ◆ 7009 06 100
- ◆ 7009 06 125
- ◆ 7009 06 150
- ◆ 7009 06 200

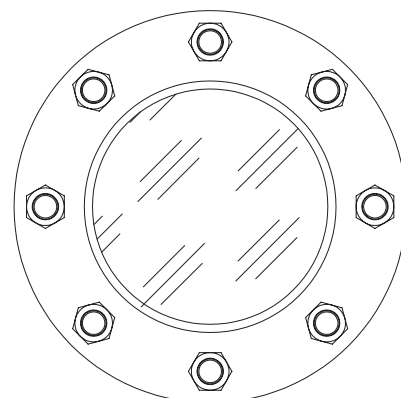
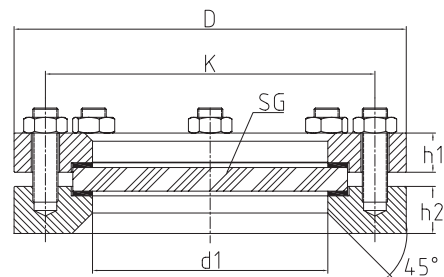


**STANDARD SIZE/\*** At temperature 50°C /122 °F

CODE	d1	SG	D	h1	h2	K	P.R
	mm	mm	mm	mm	mm	mm	bar
7009 06 050	80	100	165	16	30	125	10/16
7009 06 080	100	125	200	20	30	160	10/16
7009 06 100	125	150	220	22	30	180	10/16
7009 06 125	150	175	250	25	30	210	10/16
7009 06 150	175	200	285	30	36	240	10
7009 06 200	225	250	340	35	36	295	10

IF YOU WANT TO CHECK FOR MORE DETAILS  
PLEASE CHECK THE FOLLOWING DRAWING

\*1BAR ≈14.5PSI=0.1MPA



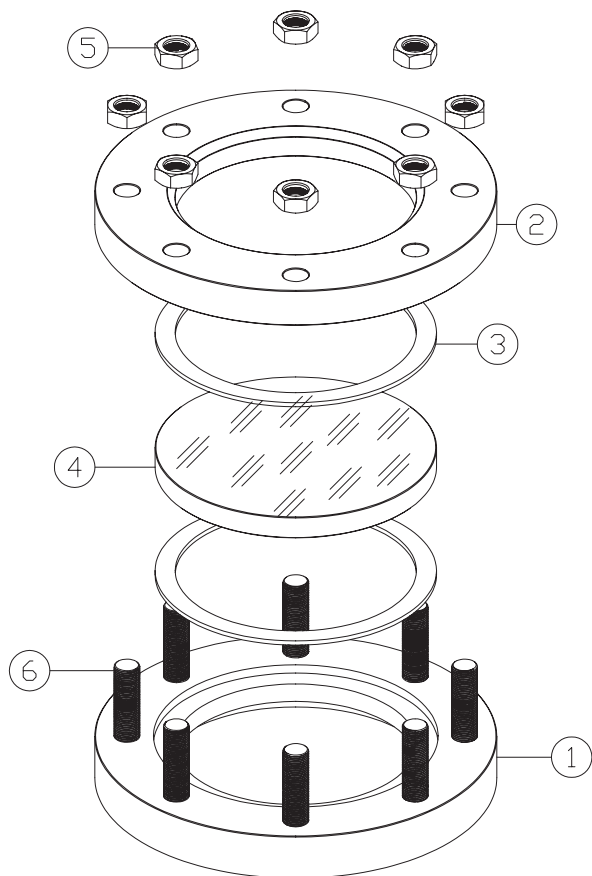
ISO9001

Subject to modification without notice in advance

# Sight Glass DIN 28120



## Parts Drawing



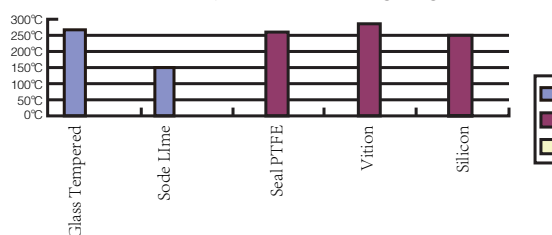
Item	Description	Material	Qty
1	Welding flange	1.4301/1.4404	1
2	Cover flange	1.4301/1.4404	1
3	Gasket	PTFE	2
4	Sight glass disc	Tempered	1
5	Nut	T304	8
6	Screw	T304	8

## Application:

Weld-on sight glass fittings for the observation of the internals of pressure vessels, silos, gear-trains, separators, pipelines, etc.

## Operating Conditions:

These fittings are available for pressure up to 16 bar (depending on size, higher pressure rating on request). For temperature rating (depending on material selection) see the following diagram.



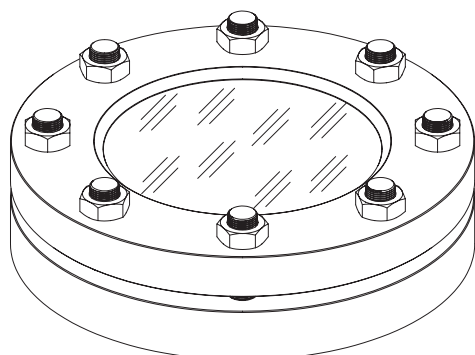
## HSG Technology

### TECHNICAL DATA

Working pressure: . . . . . Acc. to table standard size.

### Certificates

EN10204. 3.1 certificate



## Assembly:

After welding base flange (1) onto or into vessel wall, seals (3), Glass disc (4) and cover flange (5) are placed together in the order shown. Then the nuts (5) (in case of studded base flange) and washers are progressively tightened, always working on diametrically opposed pairs of nuts at time. Other information can be taken from DIN 28120.

## Ordering Information:

Please specify the selected items as follows:

Fittings: nominal bore (DN) and nominal pressure (PN).  
Material: welding flange, bolts, cover flange, glass disc, seals.