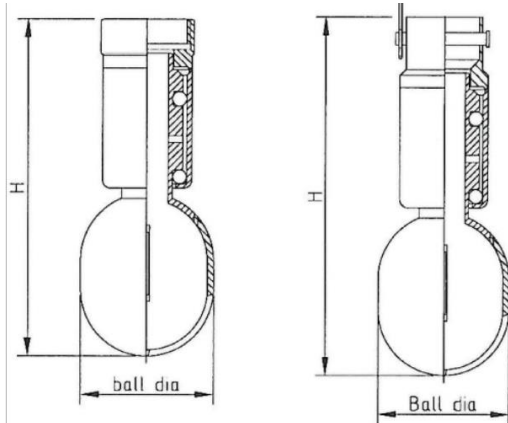


RSB type rotating spray ball



Pictured spray ball is the slip-on type, BSP connection is also available
Subject to modification without notice in advance.

Applications

Fluid driven rotating spray nozzles are ideal for use in tanks and vessels where a static spray ball is unable to clean sufficiently. The double bearing design ensures reliability and long service life.

They are available in slip on and BSP connection types. (See chart on previous page for application data).

The slip-on type come complete with a retaining pin/clip to eliminate any possible disconnection issues.

Operating Conditions

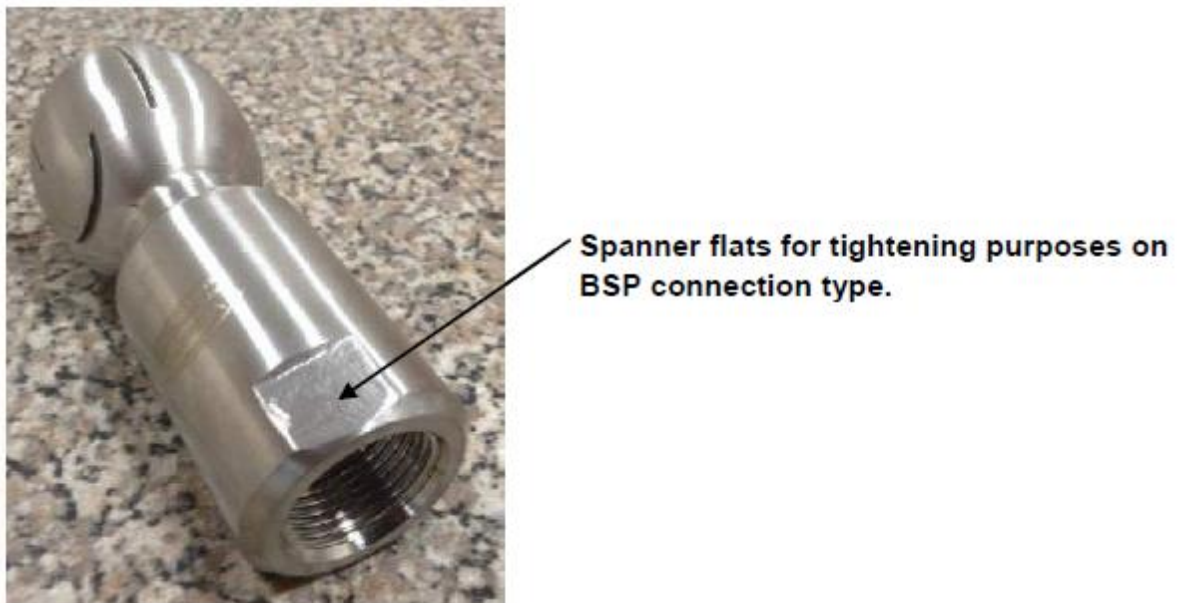
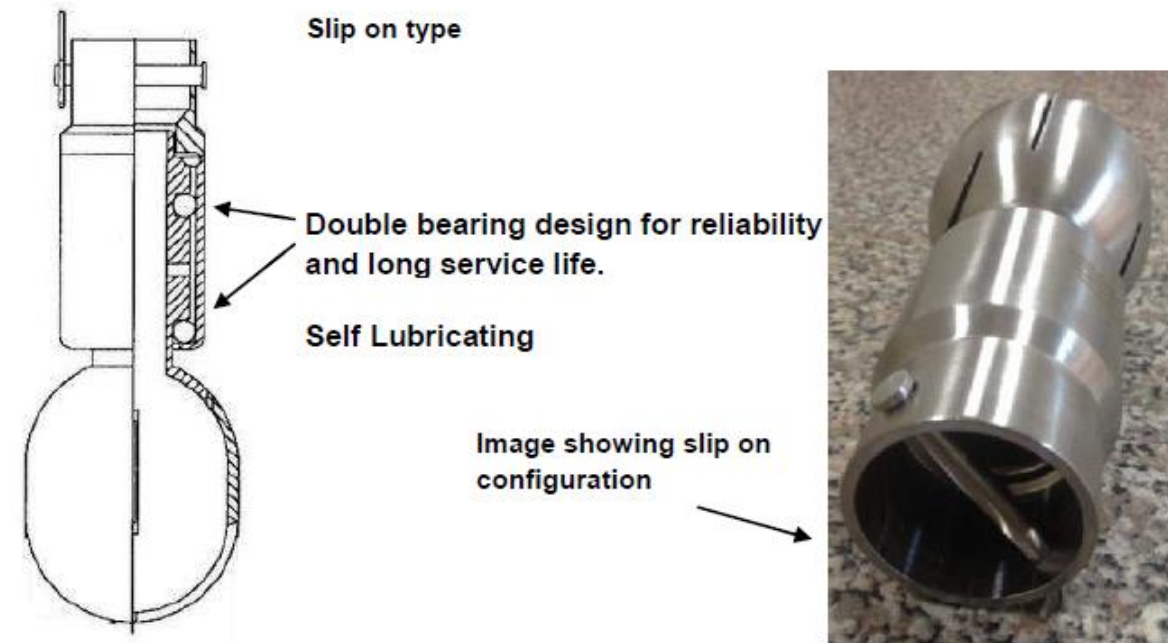
Designed to give excellent cleaning performance from relatively low (1 or 2 bar) fluid pressure.

Ordering Information

All available sizes and connection options are listed in the chart on the next page.

CODE	CONNECTION TYPE	SIZE DIN11850/DIN11866/IN CHES	SPRAY DIAMETER (METERES)	FLOW RATE (M ³ /H) BAR		BALL DIAMETER (MM)	H (MM)
DIN / ISO1127 / INCH							
SB45-360-05C/89	SLIP ON	12-13 / 13.5 / 0.5"	1.2 - 1.6	2.6	3.5	45	102
SB45-360-07C/89	SLIP ON	18-19 / 17.2-21.3 / 0.75"	1.8 - 2.0	4.1	5.5	45	115
SB45-360-02BSP/89	1/4" BSP	13 / 13.5 / 0.5"	1.2 - 1.6	2.6	3.5	45	102
SB45-360-05BSP/89	1/2" BSP	19 / 17.2-21.3 / 0.75"	1.8 - 2.0	4.1	5.5	45	115
SB45-360-10C/89	SLIP ON	28-29 / 26.9 / 1.0"	2.4 - 2.6	4.2	5.9	45	120
SB65-360-15C/89	SLIP ON	40-41 / 26.9 / 1"	3.5 - 4.0	11	15	65	150
SB45-360-07BSP/89	3/4" BSP	29 / 26.9 / 1"	2.4 - 2.6	4.2	5.9	45	120
SB65-360-15BSP/89	1.5" BSP	41 / 33.7 / 1.5"	3.5 - 4.0	11	15	65	150

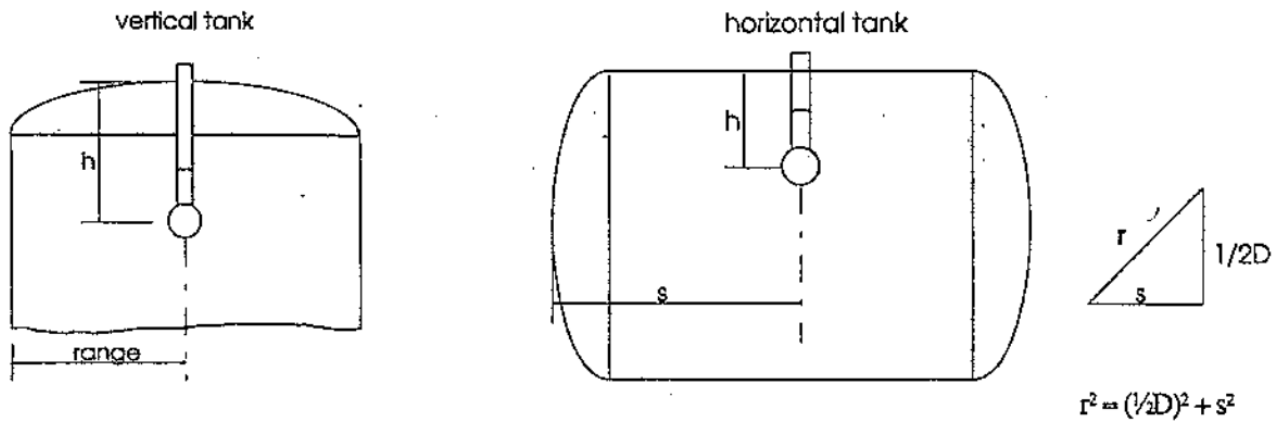
Versaline rotating spray ball features & advantages



Subject to modification without notice in advance

Placement of Sprayball

Placement of Spray ball (with cleaning pressure at 2 Bar):



Things to consider when choosing cleaning device

Area in charts	Soilage level	Ability of cleaning liquid to remove product (soilage)	Tank Size (Ltr)			
			SB45		SB65	
			Horizontal	Vertical	Horizontal	Vertical
A	Light	Very easy (deluge)	<7.000	<12.000	<17.000	<60.000
B	Medium	Relatively easy	<6.000	<10.000	<13.000	<45.000
C	Heavy	Demands small impact	<2.000	<3.500	<3.500	<10.000