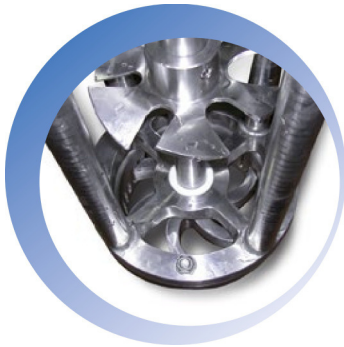




EM

## Vertical mixer



EM---vertical mixers provide high shear rates in emulsions and dispersions due to their head and turbine design. The vertical mixer produces a completely homogenized product, without lumps, in medium (5000 litres) and small volume applications. Furthermore, because of the careful treatment they provide, these mixers are very useful for keeping the compound properties of products which are already homogenised.

Moreover, with the EM design, the maintenance tasks are eased and the highest hygiene conditions ensured. The head configuration changes in accordance with the kind of product and its requirements, with sieved, slotted and perforated configurations available. These features mean EM mixers can reduce particle size, destroy coagulations and quickly dissolve solids in liquids. Some vertical mixer applications are:

- Emulsion of products in the food, cosmetic and pharmaceuticals industries (mayonnaise, creams, sauces, etc.)
- Dissolution of sugars, salts, resins, gases, etc.
- Suspensions, dispersions and dilutions
- Mixing of solids (powder or crystals) in liquids
- Homogenizations

### MODELS

**EM 1.5-150**

**EM 4-500**

**EM 7.5-1500**

**EM 11-2500**

**EM 18.5-5000**

### CHARACTERISTICS

Anchor flange DIN 2576

Adjustable head and propeller configuration

High degree of hygiene

Interchangeable heads

### MATERIALS

The parts in contact with the product are made from stainless steel AISI 316

Level of finish: Foodstuff / Sanitary

### OPTIONS

Other anchor flanges

Mechanical seal

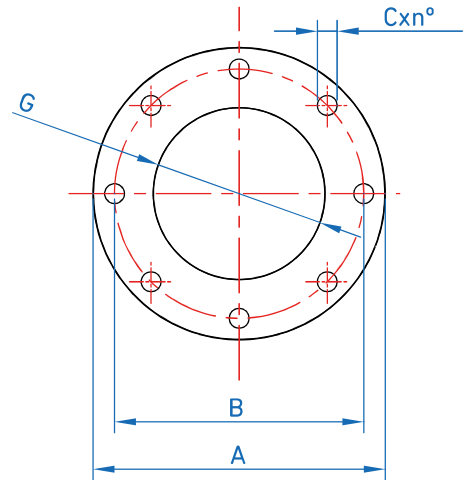
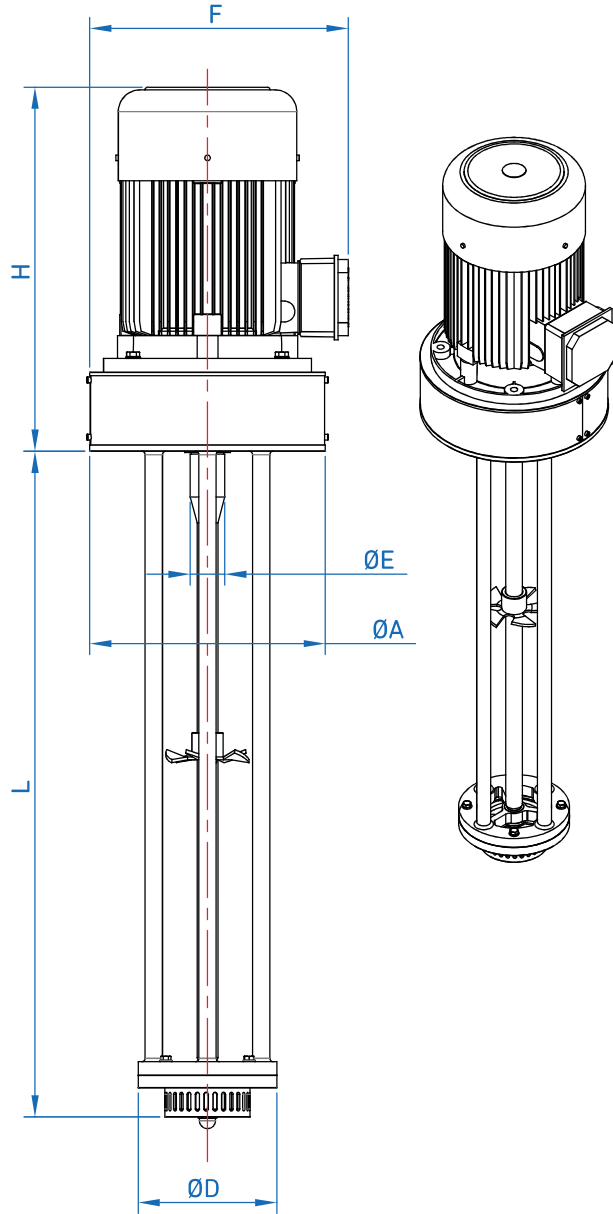
Control panel

Manual/automatic elevation system

Central agitator

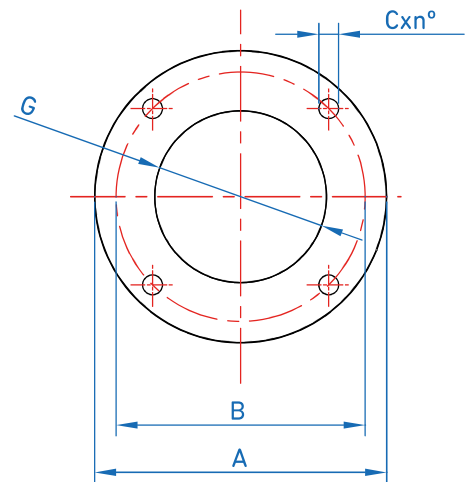
Turbines and diffusors in other materials

MIXER BASE DIN 2576 FLANGE



OVERALL DIMENSIONS						
MODEL	A	B	C	n°	G	
EM 4-500	DN125	Ø250	210	18	8x45°	170
EM 7.5-1500	DN200	Ø340	295	22	8x45°	221
EM 11-2500	DN250	Ø395	350	22	12x30°	276
EM 18.5-5000	DN300	Ø445	400	22	12x30°	290

MIXER BASE IEC FLANGE



OVERALL DIMENSIONS						
MODEL	A	B	C	n°	G	
EM 1.5-150	IEC 200	200	165	11	4x90°	130
EM 4-500	IEC 250	250	215	14	4x90°	180
EM 7.5-1500	IEC 300	300	265	14	4x90°	230
EM 11-2500	IEC 300	300	265	14	4x90°	230

OVERALL DIMENSIONS							
MODEL	Pot (kW)	H	F	ØE	ØD	L	(kg)
EM 1.5-150	1.5	260	254	84	113	800-650-500	26
EM 4-500	4	333	262	84	165	1000-800-600	59
EM 7.5-1500	7.5	470	380	120	200	1250-1000-750	111
EM 11-2500	11	474	408	160	220	1500-1200	144
EM 18.5-5000	18.5	474	433	200	285	1700-1400	275