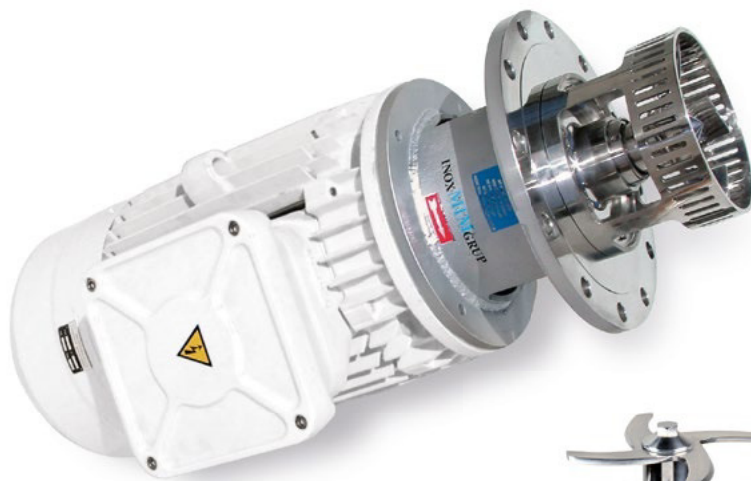


EMF

Bottom entry mixer



INOXMIM has designed a wide range of bottom entry mixers which meet all requirements in product dispersing, mixing, homogenising and crushing processes.

EMF --- mixers are installed in the bottom of the vessel and carry out highly efficient dissolving of the heaviest particles of the product. When turning, the turbine generates the suction required to draw the fluid towards the centre of the headpiece, where centrifugal force directs it toward the outside of the rotor. Once the space between the turbine and the stator is reached, the product is subjected to high pressure which leads to crushing. It then passes through the high turning speed headpiece orifices, generating a very high shearing strain which leads to dispersion, emulsification and homogenisation of the mix, as this process is repeated continuously.

This high level of shearing, combined with the different types of headpieces (perforated, slotted or sieved), generates the ideal particle size for stable emulsions and homogeneous mixes. These units can be used in an agitator system fitted with an anchor impeller for high viscosity products, or can work alone if the product has low viscosity. All these features make these units essential in sectors as demanding as the food, pharmaceutical and cosmetics industries.

MODELS

EMF 0.75-50
EMF 1.5-100
EMF 4-500
EMF 7.5-1500
EMF 11-2.500
EMF 15-5.000
EMF 18.5-10000

CHARACTERISTICS

DIN 2576 PN10 Anchor flange
 Adjustable head and turbine design
 High degree of hygiene
 Interchangeable heads: slotted, sieved or perforated
 Easy assembly/dismounting
 Double mechanical seal

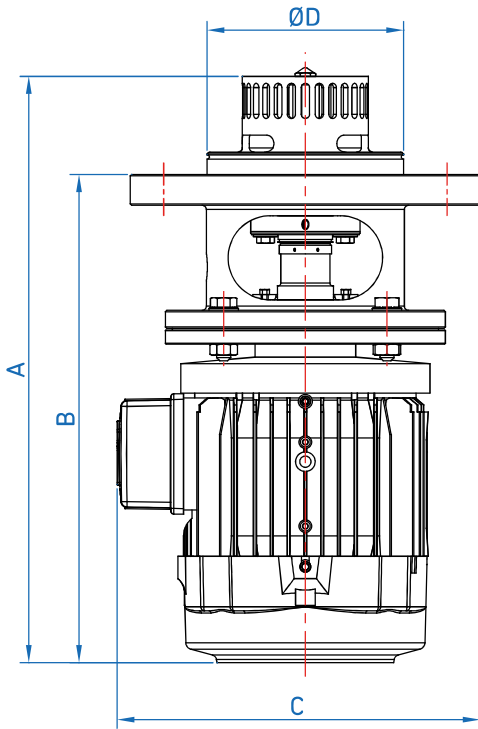
MATERIALS

Parts in contact with the product in stainless steel AISI 316
 Level of finish: Foodstuff / Sanitary

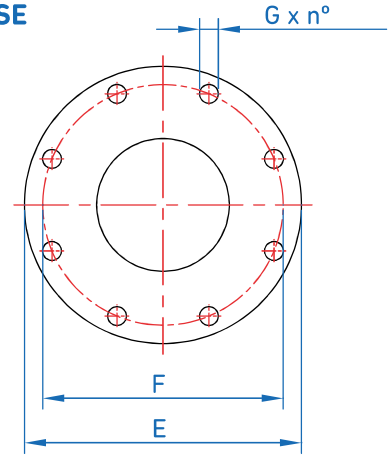
OPTIONS

Single mechanical seal with safety stuffing
 Control panel
 Speed variator
 Diffuser and turbine in other materials
 Motor cover
 Cooling unit for the seal system
 Multi-turbine

DIMENSIONS AND CHARACTERISTICS OF THE EMF MODEL



DIN 2576 PN10 FLANGE MIXER BASE



OVERALL DIMENSIONS

MODEL	E	F	G	n°	
EMF 0.75-50	DN80	Ø200	160	18	8x45°
EMF 1.5-100	DN125	Ø250	210	18	8x45°
EMF 4-500	DN125	Ø250	210	18	8x45°
EMF 7.5-1500	DN150	Ø285	240	22	8x45°
EMF 11-2500	DN200	Ø340	294	22	8x45°
EMF 15-5000	DN250	Ø395	350	22	12x30°
EMF 18.5-10000	DN250	Ø395	350	22	12x30°

OVERALL DIMENSIONS

MODEL	Pot. (kW)	A	B	C	ØD	(kg)
EMF 0.75-50	0.75	377	311	225	89	21
EMF 1.5-100	1.5	445	366	235	89	29
EMF 4-500	4	535	454	265	140	46
EMF 7.5-1500	7.5	711	618	312	169	76
EMF 11-2500	11	730	630	357	220	110
EMF 15-5000	15	765	642	385	274	131
EMF 18.5-10000	18.5	765	645	433	274	149

*For higher models, please ask

