

Vertical Agitator

IBC vertical agitators are widely used in pharmaceuticals industry because of their high performance and efficient agitation plus their low cost. The high versatility of these agitators comes from the different sizes, the range of impeller types and the coaxial geared-motor, which has a wide range of selectable speeds.



APPLICATIONS

The IBC design changes in line with agitation characteristics and application requirements, with one or more impellers of the same or different kinds being used to provide the agitation required for each system. The level of finish and the design of the agitator ensure safety conditions and high degrees of hygiene. All these characteristics make the IBC highly recommended for the following operations:

- Dilutions, dissolutions and homogenizations
- Product maintenance
- Suspensions
- Chemical product homogenization
- Temperature homogenization

CHARACTERISTICS

Level of finish: Sanitary
IEC Anchor flange
Coaxial gears gearbox
Interchangeable agitation components
Easy assembly/dismantling

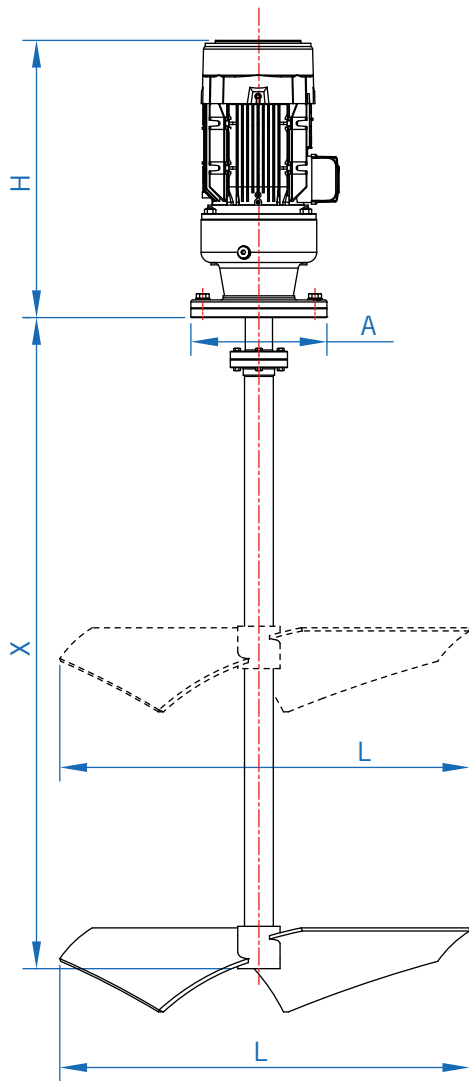
MATERIALS

Parts in contact with the product in SS AISI 316L
Parts without contact in SS AISI 304L, carbon Steel and others

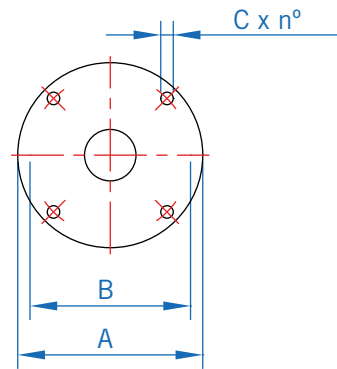
OPTIONS

Other materials: SS AISI 304L, SS AISI 904L, Hastelloy, etc.
Reinforcement turrets
Other anchoring flanges
Pneumatic motor
Control panel
Frequency converter
Gearbox covering



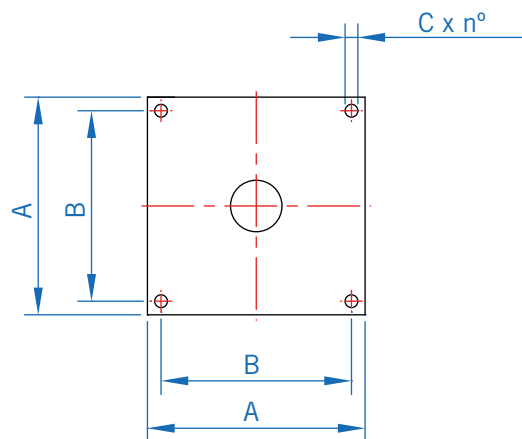


ANCHOR FLANGE IEC TYPE



OVERALL DIMENSIONS IBC				
FLANGE	A	B	C	n°
IEC 160	160	130	9	4x90°
IEC 200	200	165	12	4x90°
IEC 250	250	215	14	4x90°

SQUARE PLATE ANCHOR FLANGE



OVERALL DIMENSIONS IBC				
FLANGE	A	B	C	n°
250 x 250	250	200	18	4
300 x 300	300	250	18	4
400 x 400	400	350	18	4