

LECOR / LMRE**Lateral agitators
food industry**

LECOR and LMRE lateral agitators are highly suitable for maintaining and mixing products stored in medium and large volume tanks. The design of the LECOR and LMRE allows a high level of homogenisation of the mixture, which is why they are extensively used in the foodstuff industry, especially in the dairy sector.

These models are installed in the lowest part of the vessel with different distances to the bottom, and slanted in line with the characteristics of the tank (shape and size). Moreover, these agitators are fitted with two systems of shaft sealing. On the inner part, where the shaft is in contact with the product, there is a mechanical seal, whilst

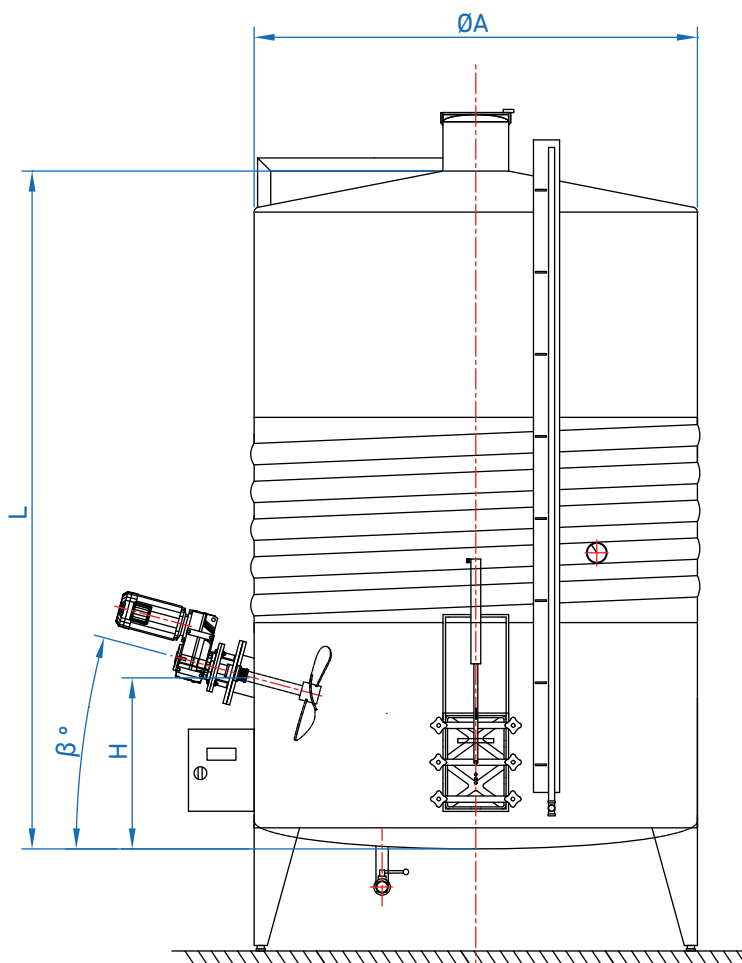
the external part is fitted with a stuffing box. All these properties together provide effective sealing and a high degree of hygiene, two conditions which are essential in the foodstuff industry.

LECOR and LMRE agitators work at low turnovers per minute, providing soft treatment of the milk and an optimal circulation ratio for maximum heat exchange. These are the main reasons why these agitators are very useful for cooling and keeping milk at low temperatures inside isothermal vessels. Moreover, the types of propellers used avoid protein lysis, keeping the milk properties and improving the production of derivative dairy products.

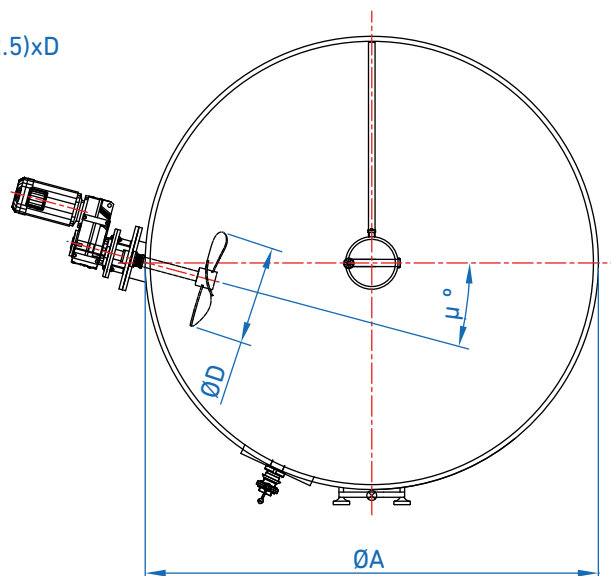


Apart from milk cooling and maintenance, these units are used for:

- Dissolution of products like sugar syrup, yeast, fats, powdered foods, thickeners, etc.
- Product homogenisation (wines, liquors, spices and flavourings in brines, vegetable oils, fats, etc.)
- Heat exchanges
- Dilutions (whey, concentrates)
- Product/suspension maintenance (soft drinks, orange, clementine, lemon juices, etc.)
- Mixing flavours, additives, preservatives, etc.



$$H=(2/2.5)\times D$$



CHARACTERISTICS

DIN 2576 anchor flange
 Level of finish: Foodstuff / Sanitary
 Gearbox with high performance helicoidal gears
 Single mechanical seal sealing system
 GAMMA/MARINE propeller
 Simplicity of parts

MATERIALS

Shaft and propeller manufactured in stainless steel AISI 316L
 Mechanical seal C/C/N

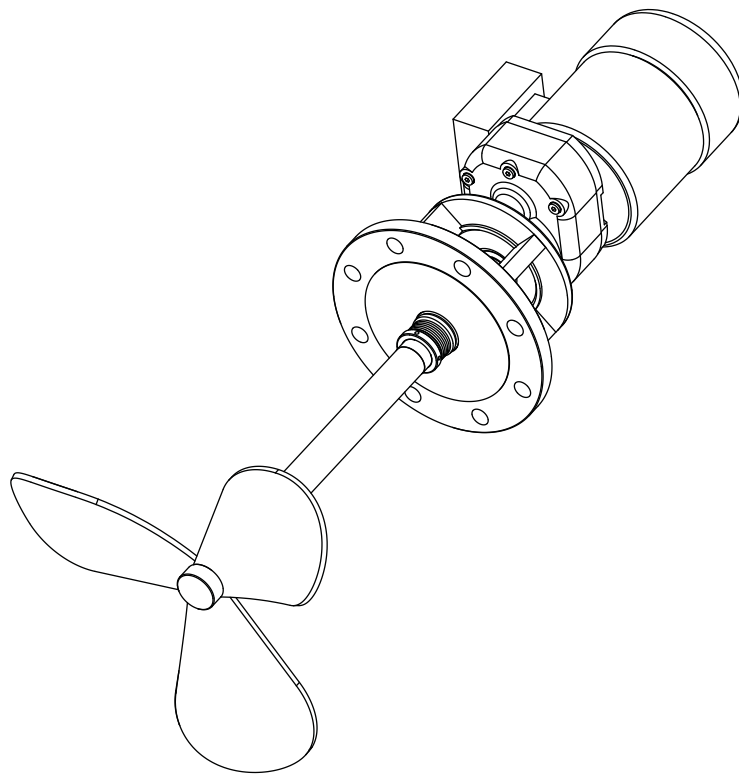
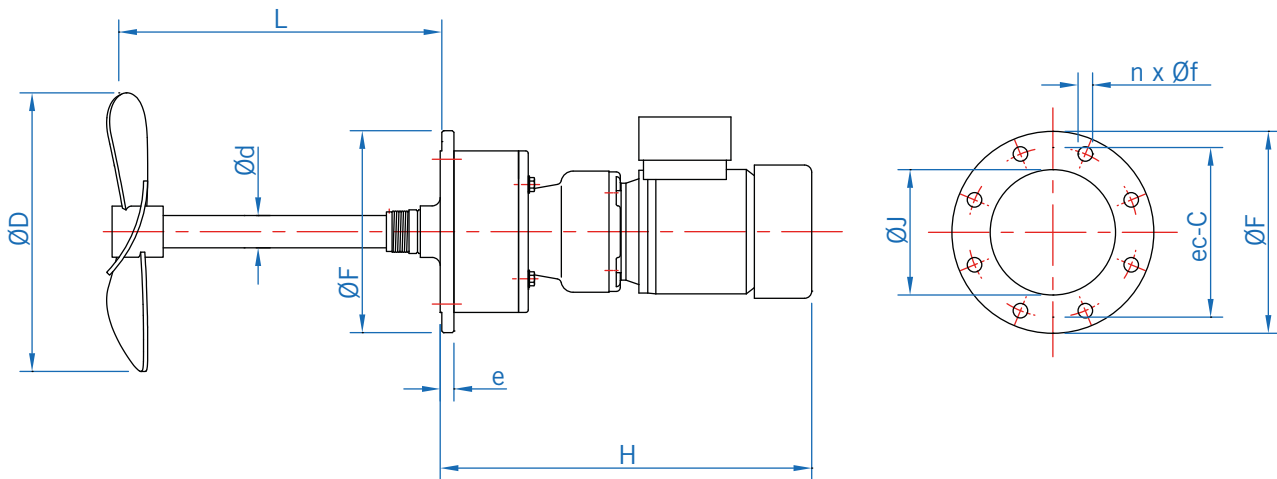
OPTIONS

Control panel
 Safety stuffing box
 Mechanical seal S/S/V or dual
 Shaft and propeller covering against corrosion and wearing up
 Motor cover
 Other materials
 Big flow GAMMA propeller
 Other anchor systems
 Mechanical or frequency converter
 Other shaft lengths

INSTALLATION PARAMETERS

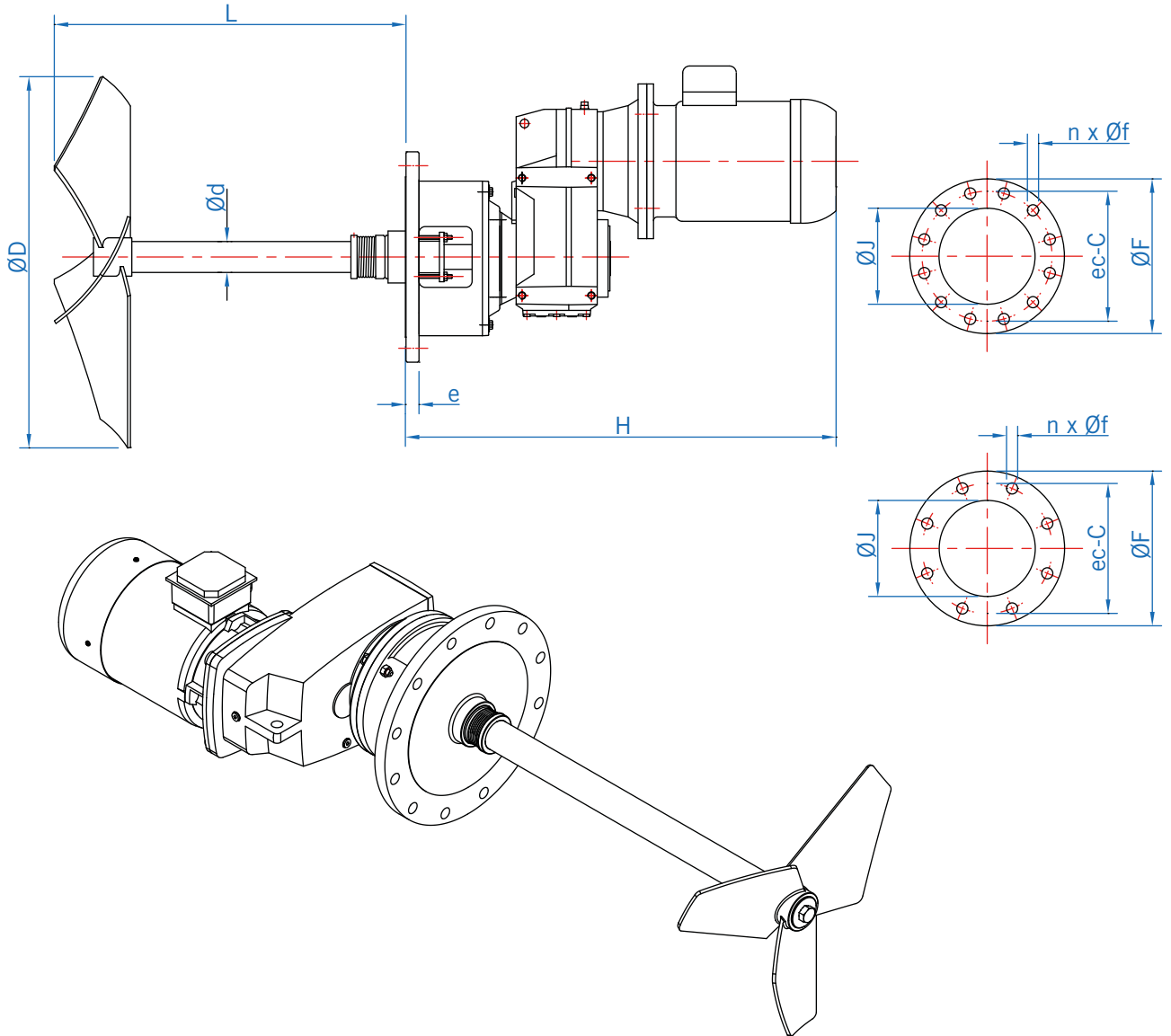
A/L	2	1	0.5	0.3	0.25	0.2	0.16
β°	5	15	20	35	45	55	65
μ°	15	12	10	8	5	2	0

DIMENSIONS OF THE LECOR MODEL



MODEL	OVERALL DIMENSIONS						ANCHOR FLANGE according to DIN 2576 PN10					
	Power (kW)	d	D	e	H	L	DN	C	f	F	J	n
LECOR 0.37-135/300	0.37	40	300	22	463	500	150	240	22	285	169	8
LECOR 0.55-200/300	0.55	40	300	22	463	500	150	240	22	285	169	8
LECOR 0.75-200/400	0.75	40	400	22	480	500	150	240	22	285	169	8
LECOR 1.1-250/400	1.1	40	400	22	525	500	150	240	22	285	169	8
LECOR 1.5-200/500	1.5	40	500	22	525	500	150	240	22	285	169	8
LECOR 2.2-250/500	2.2	40	500	22	555	500	150	240	22	285	169	8
LECOR 3-200/600	3	50	600	24	670	500	200	350	22	340	220	8
LECOR 4-200/650	4	60	650	26	725	600	250	400	22	395	274	12

DIMENSIONS OF THE LMRE MODEL



MODEL	OVERALL DIMENSIONS						ANCHOR FLANGE according to DIN 2576 PN10					
	Power (kW)	d	D	e	H	L	DN	C	f	F	J	n
LMRE 0.37-300/250	0.37	35	250	22	472	400	125	210	18	250	140.5	8
LMRE 0.55-300/275	0.55	35	275	22	494	400	125	210	18	250	140.5	8
LMRE 0.75-300/300	0.75	40	300	22	524	500	150	240	22	285	169	8
LMRE 1.1-300/325	1.1	40	325	22	665	500	150	240	22	285	169	8
LMRE 1.5-300/350	1.5	40	350	22	675	500	150	240	22	285	169	8
LMRE 2.2-300/400	2.2	40	400	24	627	500	200	295	22	340	220	8
LMRE 3-300/450	3	50	450	24	757	500	200	295	22	340	220	8
LMRE 4-300/500	4	50	500	24	805	500	200	295	22	340	220	8
LMRE 5.5-300/500	5.5	50	500	24	876	500	200	295	22	340	220	8
LMRE 7.5-300/600	7.5	50	600	24	885	600	200	295	22	340	220	8
LMRE 9.2-300/600	9.2	60	600	26	905	600	250	350	22	395	274	12
LMRE 11-300/650	11	60	650	26	1010	600	250	350	22	395	274	12
LMRE 15-300/700	15	70	700	26	1075	700	300	400	22	445	325	12
LMRE 18.5-300/700	18.5	70	700	26	1200	700	300	400	22	445	325	12
LMRE 22-300/800	22	70	800	26	1235	700	300	400	22	445	325	12